

Single lamp LED pendant.

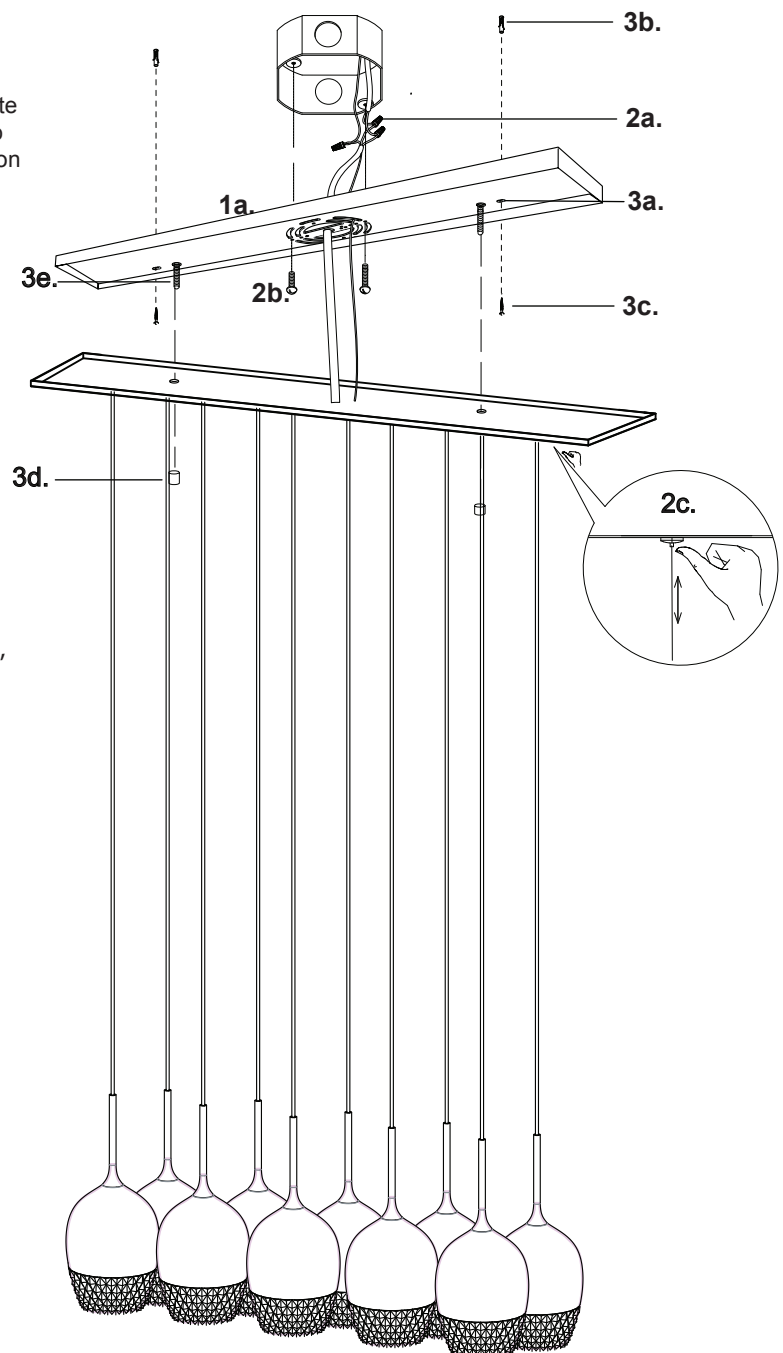
Please Note:

- All Kuzco LED fixtures come with pre-wired LED module(s).
- Unless instructed to do so, please do not touch any part of the LED module(s) as any unnecessary contact with the module could cause permanent damage.
- For dimming, an ELV (Electronic Low Voltage) dimmer is required.

START FROM HERE

- Make sure power is completely off at the fuse box.
 - Have your fixture installed by a qualified licensed electrician
 - Prepare everything in clear area.
 - Wear gloves at all times during this installation.
 - Read instructions carefully before you start assembly.
 - Keep this instruction sheet for future reference.
- Technical Support:** 1-877-452-6858

- 1.** Remove the fixture from its original packaging and remove the fixture mounting plate (1a) from within the hardware package.
- 2.** Attach all wiring (2a) with the provided marrets (white to white "N", black to black "L", ground to ground "G"). Using the two machine screws (2b) thread the mounting plate to the junction box. If desired, adjust the cables (2c) to a maximum of 72 inches.
- 3.** Anchor the mounting plate. Using the two holes in the mounting bar (3a), create registration marks on the ceiling. Turn canopy mounting plate away from registration marks and drill appropriate holes into ceiling. Now insert the plastic anchors (3b) into the ceiling. Turn the canopy mounting plate back to align mounting plate holes to plastic anchors and secure with screws (3c). Once again thread the machine screws (2b) back to the mounting plate. Once this is complete you can thread on the decorative nuts (3d) to the two studs (3e) until the fixture is secured to the ceiling.
- 4.** You have now completed the installation of your fixture, enjoy.



KUZCO LIGHTING

19054 28th Avenue Surrey, BC Canada V3S 6M3
T: 604 538 7162 TF: 1-855 85 KUZCO F: 604 538 7196
W: kuzcolighting.com
20150821